

Features

- Two adjustable tempered-glass shelves offer additional bathroom storage.
- Mirrored door with bronze-finish frame.
- Mirrors on back of door and interior back of cabinet.
- Two-way adjustable hinges with 108° opening capability for easy cabinet access.
- Can be installed with left- or right-hand swing.
- Includes mounting hardware for surface or recessed installation.
- Includes side mirror kit for surface mount installation.

Material

- Anodized aluminum construction with a durable rust-proof and chip-resistant finish.
- Anodized aluminum construction with a durable rust-proof and chip-resistant finish.

Recommended Products/Accessories

K-2659 Cabinet Lockbox
K-23723 Faucet cleaner



Codes/Standards

None Applicable

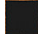
KOHLER® One-Year Limited Warranty

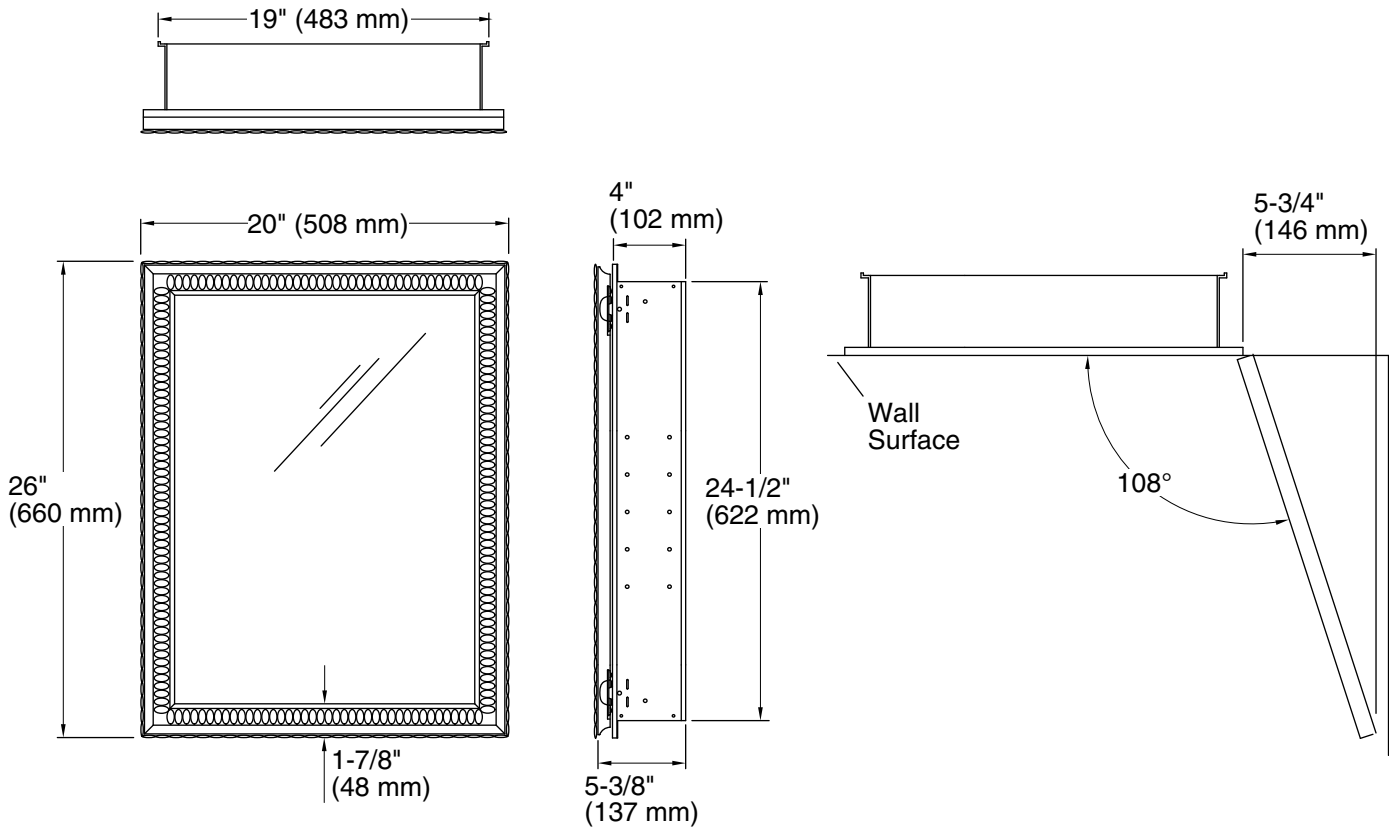
See website for detailed warranty information.

Available Colors/Finishes

Color tiles intended for reference only.

Color	Code	Description
-------	------	-------------

	BR1	Oil-Rubbed Bronze
---	-----	-------------------



Technical Information

All product dimensions are nominal.

Notes

Install this product according to the installation guide.

When determining the height of the medicine cabinet, ensure the mirrored door will clear all obstacles (such as a faucet). A minimum distance of 2" (51 mm) is required.

Secure the screws (provided) to a stud to avoid possible property and product damage. If this is not possible, anchors (not provided) must be inserted before installing the screws.

Cutout for recess-mount installation:
19-1/4" (489 mm) width x 25-1/4" (641 mm) height x 3-5/8" (92 mm) depth.